

# 4003D UL/CSA Certified\*

## NON-INTRUSIVE MAGNETIC SIGNALLER

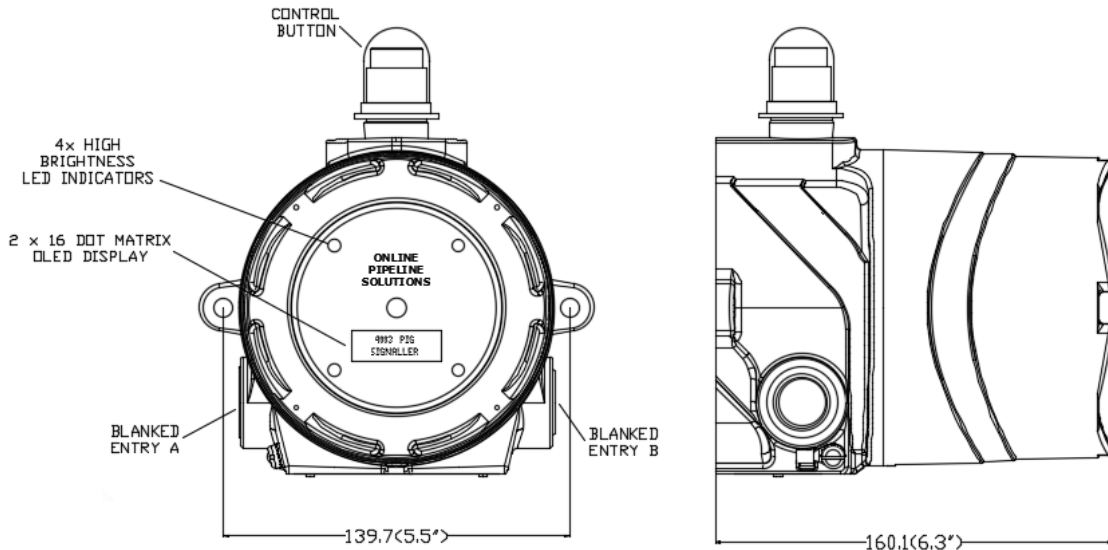
The Online 4003D is a UL / CSA Class 1 Division 1 certified\*, non-intrusive pig signaller, which quickly and accurately detects, signals, and logs the passage of magnetic pigs at critical points along a pipeline both on land and offshore.

### Key Benefits:

- Use of the 4003D can result in time and therefore cost savings
- Quick and easy installation using ratchet straps or steel banding
- Minimal set up required ensuring time is not lost setting up multiple parameters
- Versatile – can be installed on any pipeline up to 60" diameter with wall thickness up to 50mm, carrying any medium and with pigs running at varying speeds
- No location restrictions – can be located on major barrel and the magnetic sensor can be supplied on a cable up to 10m long for use with buried pipelines or where access is limited.
- Unit can be installed close to pig receiver door, allowing for confirmation that pig has passed isolation valves and easy pig recovery
- Complete skid mounted systems for remote site locations are available inclusive of Solar Power recharging systems and Satellite communication.

Internal LED lamps and the internal electronic display signal pig passage locally. For remote signalling, DPDT dry relay, current loop (HART protocol compatible), low power wireless, MODBUS 485 and satellite communication options are available for one or two way communication enabling remote programming and data download. The unit logs the time and date of up to 99 events in local non-volatile memory. The user can turn the unit ON and OFF as well as modify several settings locally by using a single control button and intuitive menu system.

Internal calibration settings may vary depending on the background magnetic noise, pig speed, pipeline diameter, wall thickness and the quality of magnets fitted so let us know about your installation specifics. It is recommended that pigs should utilise rare earth magnets NdFeB (neodymium iron boron) to maximise magnetic signal.



**GENERAL:**

External supply .....+21.6VDC to +26.4VDC, <1.0W

Loop powered current loop ..... 4- 20mA

The unit has the ability to be interfaced utilizing HART protocol, low power wireless, MODBUS 485 and Satellite Communication Options

Relay Output ... DPDT Dry Contacts rated 30VDC, 2A (Non I.S.) IS Versions see Manual for Chart

Battery type .....4x Alkaline 1.5V 18Ah D Cells

Battery life in LISTENING/LOW POWER MODE at +20°C ..... 1 Year

Battery type .....2x Lithium Thionyl Chloride 3.6V 17Ah D Cells

Battery life in LISTENING/LOW POWER MODE at +20°C ..... 1 Year

Battery type ..... 4x Rechargeable NiMH 1.2V 8.5Ah D Cells

Battery life in LISTENING/LOW POWER MODE at +20°C ..... 6 months

Entries (other options available).....4x M20x1.5

Temperature range (External supply, where no cells fitted) . -50°C to +85°C (-58°F to +185°F)

Temperature range (Alkaline 1.5V 18Ah Cells) ..... -20°C to +54°C (-4°F to +130°F)

Temperature range (Lithium Thionyl Chloride cells) ..... -40°C to +85°C (-40°F to +185°F)

Temperature range (Rechargeable NiMH 1.2V 8.5Ah Cells)...-20°C to +65°C (-4°F to +149°F)

Enclosure Type..... NEMA 4X / NEMA 7

Entries (other options available).....2x ¾" NPT

Weight in Aluminium (Aluminium Alloy LM25) ..... 5.2kg (11.5lbs)

Weight in Stainless Steel (316L Stainless Steel) ..... 11kg (24.3lbs)

\*UL/CSA approvals pending

