

Online ONLINE

3014X SERIES ELECTROMAGNETIC TRANSMITTER OPERATING MANUAL

The 3014X transmitter is an electromagnetic transmitter that can be used for pig tracking and locating functions, intended for use in pipeline diameters of 8" to 12"

Online Electronics Ltd
Online House
Blackburn Business Park
Woodburn Road, Blackburn
Aberdeen
AB21 0PS
UK
+44 (0)1224 714 714
www.online-electronics.com
sales@online-electronics.com



CONFIGURATION INFORMATION	
SERIAL NUMBER:	
OUTPUT SIGNAL:	
REPETITION RATE 1:	
RATE 1 BATTERY LIFE AT +20°C:	
REPETITION RATE 2:	
RATE 2 BATTERY LIFE AT +20°C:	

3014_5001

Checked

(IF APPLICABLE)

Date

(IF APPLICABLE)

Approved

APPROVED
ca , 14:56:01, 09/10/2017

Date

Rev	Date	By	Summary of change
A00	07/08/17	BG	CR00485: Was 3014X ATEX EM TRANSMITTER MANUAL RevB01. CR00380: Address change. CR00499: Front cover update.
A01	28/08/17	BG	Specifications updated
A02	09/10/17	BG	CR0499: Cover page update.

COMMENTS:

CONTENTS

Page

1. GENERAL DESCRIPTION 5

2. SPECIFICATIONS 6

3. RULES FOR SAFE OPERATION 7

4. OPERATION 8

 4.1. TURNING ON 8

 4.2. TURNING OFF 8

 4.3. FUNCTION TEST 8

 4.4. DEPLOYMENT 9

 4.5. INSTALLATION 9

 4.6. BATTERY LIFETIME 11

 4.7. MODE SELECT 12

 4.8. BATTERY REPLACEMENT 13

 4.9. LITHIUM BATTERY SAFETY 14

5. MAINTENANCE 15

 5.1. O-RING REPLACEMENT 15

 5.2. ROUTINE MAINTENANCE AND STORAGE 16

6. DISPOSAL OF UNIT 17

7. WARRANTY 17

8. APPENDIX A – ATEX SPECIFIC INSTRUCTIONS 18

1. GENERAL DESCRIPTION

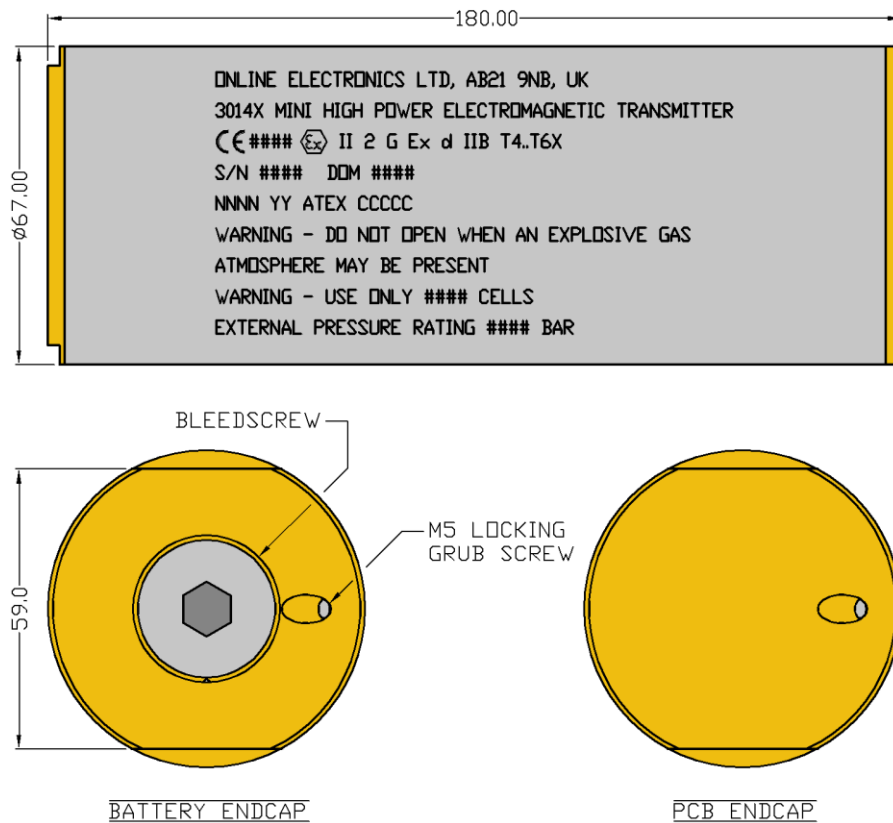
The 3014X Electromagnetic transmitter is an ATEX certified EM transmitter that can be used for pig tracking and location functions. The transmitter operates effectively in buried pipelines, pipelines carrying gas and in pipeline bundles where acoustic transmitters are either less effective or ineffective.

The transmitter emits a 21.8Hz signal and an inherent EM null spot is detectable when the EM receiver antenna is at 90 degrees to and pointing at the centre of the transmitter allowing centimetre accurate positioning of a pig.

The transmitter can be changed between two pulsing transmission rates via an easily accessible slide switch inside the transmitter.

The transmitter is configured for use with Lithium batteries only. Lithium batteries provide a significant improvement in battery lifetime and operation particularly at temperature extremes.

A non-ATEX version of the transmitter can be manufactured with specially designed endcaps which allow fitting of pigging discs directly to the transmitter - the transmitter itself becomes the pig body. This dramatically increases the received EM signal because it no longer needs to propagate through an additional pig body as well as the pipeline.



Parameters such as lifetime, pulse rate, frequency, and output level can be customised during manufacture, please contact Online Electronics Ltd for more details.

2. SPECIFICATIONS

NOTE THAT THE SPECIFICATIONS BELOW ARE VALID FOR THE STANDARD CONFIGURATION ONLY. REFER TO PAGE 2 OF THIS MANUAL FOR THE CONFIGURATION INFORMATION SPECIFIC TO THE TRANSMITTER BEING USED.

GENERAL:

Lifetime in continuous mode at +20°C in air	6.5 days
Lifetime pulsing 0.4sec ON / 0.6sec OFF at +20°C in air.....	14 days
Lifetime pulsing 0.4sec ON / 1.6sec OFF at +20°C in air.....	25 days
Lifetime pulsing 0.4sec ON / 2.6sec OFF at +20°C in air.....	36 days
Lifetime pulsing 0.4sec ON / 3.6sec OFF at +20°C in air.....	46 days
Lifetime pulsing 0.4sec ON / 4.6sec OFF at +20°C in air.....	54 days
Lithium batteries	2x ELECTROCHEM 3B0035-TC PRIMARY LITHIUM D CELL
Standard signal at 1m with OEL reference antenna at +20°C in air.....	185mVpp
Standard frequency	21.8Hz
Temperature range.....	Refer to Section 8 APPENDIX A – ATEX SPECIFIC INSTRUCTIONS
External pressure rating	225bar (3,263 Psi)
Bump rating.....	20G
Typical weight including batteries	3.5kg-4kg (8.8 lbs to 11 lbs)

MATERIALS:

Housing material	316 STAINLESS STEEL EN 1.4401
Endcap material	ALLOY BRONZE CA104 EN 12163
Bleedscrew material.....	316 STAINLESS STEEL EN 1.4401
O-rings	NBR70 (standard) / FKM936 (heavy duty)

ATEX:

Notified body number.....	0891
Type examination number	TRAC 09 ATEX 21218 X
Code.....	Ex II 2 G Ex d IIB T4..T6X

3. RULES FOR SAFE OPERATION

⚠ WARNING: The Special Conditions for Safe Use as detailed in Section 8 APPENDIX A – ATEX SPECIFIC INSTRUCTIONS must be followed at all times.

⚠ WARNING: Any operation involving pressure is potentially hazardous. No person should use this equipment unless fully aware of the potential hazards of working with pressurised vessels. The purchaser of this equipment is responsible for the training and competence of operators and the manner in which it is used. This manual should be read through and understood before installation and commissioning so that the operator is familiar with the equipment. Contact Online Electronics Ltd immediately should any difficulty arise in the use of this equipment.

⚠ WARNING: DO NOT open when an explosive atmosphere may be present. Always use caution when opening equipment which has been in a pressurised environment. It is possible for pressure to leak into the equipment and remain there even after external pressure has been removed. ALWAYS point the end to be opened towards a safe area and away from yourself or others. Contact Online Electronic immediately if there is a suspicion that the equipment has become pressurised.

⚠ WARNING: Only ELECTROCHEM 3B0035-TC cells are permitted to be used in this equipment.

⚠ WARNING: Replace all batteries at the same time. NEVER install used batteries. NEVER install a mix of new and used batteries. USE ONLY new batteries from the same package or manufacturing batch. DO NOT mix different brands or types of batteries. ALWAYS observe correct battery polarity. New batteries should be installed before each deployment.

⚠ WARNING: Do not expose to aggressive solvents or chemicals which could be harmful to the HOUSING, O-RINGS, CONNECTORS or any other parts of the equipment.

⚠ CAUTION: Opening of the equipment should take place in a clean laboratory environment.

⚠ CAUTION: To prevent the formation of condensation within the transmitter, allow the transmitter temperature to stabilise within the laboratory environment for a minimum of 6 hours prior to opening.

⚠ CAUTION: It is possible for liquids to become trapped in threads and/or gaps around openings. ALWAYS point the end to be opened downwards to allow any trapped liquid to drain out of and not into the equipment.

⚠ CAUTION: If the transmitter is to be placed in storage, always ensure that it is turned OFF and the batteries are removed and stored separately.

4. OPERATION

Familiarise yourself with all of the rules for the safe operation of this equipment as described in Section 3 RULES FOR SAFE OPERATION.

4.1. TURNING ON

1. To turn the transmitter on, fully tighten the bleed screw using a 10mm AF Allen key. Do not use excessive torque. The transmitter takes approximately 5 seconds to turn on. Note that the transmitter is usually shipped with a Nylon washer under the bleed screw to prevent accidental activation during transport. This must be removed before the transmitter can be turned on.
2. Use an EM receiver system to confirm that the transmitter is functioning properly at the expected pulse rate.

4.2. TURNING OFF

1. To turn the transmitter off, loosen the bleed screw 3 full turns using a 10mm AF Allen key. To prevent the bleed screw being lost, or the transmitter accidentally being turned back on, the bleed screw should be held in this position with some tape.
2. Use an EM receiver system to confirm that the transmitter has turned off.

4.3. FUNCTION TEST

An OEL EM receiver system is required to receive the signal from a 3014X transmitter. Refer to the relevant EM receiver manual for instruction on setup and operation of the EM receiver system.

1. Place the EM receiver antenna approximately 5m away and parallel to the transmitter.
2. Activate the transmitter as detailed in Section 4.1 TURNING ON.
3. Confirm that a clear signal is received.
4. Switch the transmitter between OFF, RATE 1 and RATE 2 several times to ensure that the signal received reacts as expected. Refer to Section 4.7 MODE SELECT for further information on changing transmission rates.
5. An inherent null spot is detectable when the antenna is at 90 degrees to and pointing at the centre of the transmitter allowing accurate positioning of a pig. Refer to the relevant EM receiver manual for further information.
6. Turn OFF the transmitter as detailed in Section 4.2 TURNING OFF.
7. If all results were as expected then the system is functional.

4.4. DEPLOYMENT

Before each deployment ensure that the following checks have been completed.

1. Ensure the transmitter has been installed as detailed in Section 4.5 INSTALLATION.
2. Visually inspect all system components to ensure that they are secure and undamaged.
3. Refer to Page 2 of this manual for the expected battery lifetime and ensure that it is adequate for the planned operations.
4. Activate the transmitter as detailed in Section 4.1 TURNING ON.
5. Complete a Section 4.3 FUNCTION TEST.

4.5. INSTALLATION

⚠ WARNING: The Special Conditions for Safe Use as detailed in Section 8 APPENDIX A – ATEX SPECIFIC INSTRUCTIONS must be followed at all times.

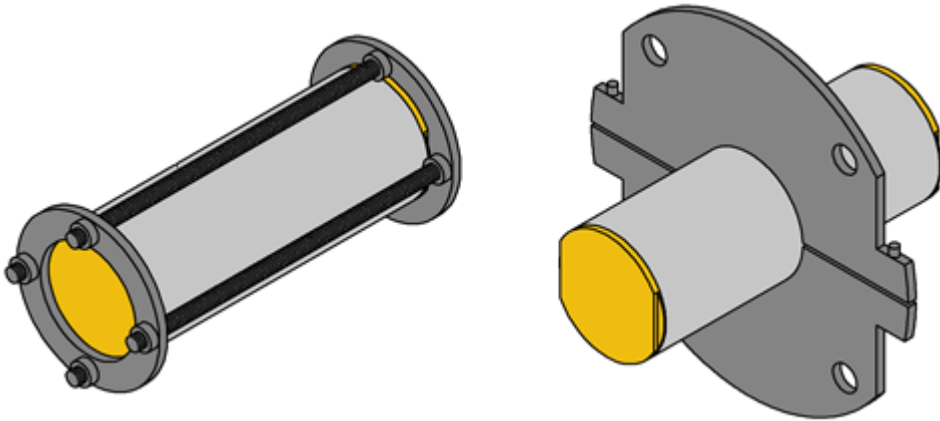
⚠ WARNING: The transmitter must be mounted in such a way that no movement or vibration whatsoever is possible (e.g. clamped). If the transmitter is allowed to rattle and/or vibrate within the pig then the resultant hammering effect can exceed the bump rating of the transmitter leading to damage and/or failure. This is particularly important in gas pipelines.

⚠ CAUTION: All EM transmitters will induce electrical currents in any conductive materials closely surrounding them which can result in a severe reduction in signal strength and/or battery lifetime. This effect can be minimised by reducing the amount of conducting material surrounding the transmitter. Leave as much of the transmitter exposed as possible. Any slits or apertures which can be made in the surrounding material will help. Use materials with as high resistance as possible. Non-conducting materials such as plastics will not suffer from this effect. EM transmitters must not be surrounded by low resistance metals such as aluminium (including tubes or mounting clamps) under any circumstances.

⚠ CAUTION: Any magnetic material surrounding the transmitter will tend to block the EM signal from the transmitter and reduce the received signal strength outside the pipeline. This effect can be minimised by reducing the amount of magnetic material surrounding the transmitter. Leave as much of the transmitter exposed as possible. Any slits or apertures which can be made in the surrounding material will help. Use materials with as low magnetic permeability as possible. Non-magnetic materials such as plastics will not suffer from this effect. The table below shows the typical characteristics of several potential pig and mounting materials with the best choice at the top, and the worst choice at the bottom. 316 stainless steel provides a good balance of properties and cost. An aluminium alloy would be a very poor choice because of the very low resistivity and should not be used under any circumstances.

MATERIAL	RESISTIVITY ($\mu\Omega.m$)	MAGNETIC PERMEABILITY
PLASTIC	∞	1.000
316 STAINLESS STEEL	0.75	1.008
2205 DUPLEX SS	0.80	>25.0
1005 STEEL	0.20	>100
ALUMINIUM ALLOYS	0.04	1.000

For optimum performance the transmitter should be clamped inside a plastic pig body or plastic guide discs should be clamped around the transmitter to form a pig. The advantage of these methods is the fact that there is no metal around the transmitter apart from the pipeline itself. Two alternative mounting arrangements are shown below. The first uses several lengths of threaded studding to clamp the transmitter between two plates. The second uses a clamping disc. The advantage of these arrangements is that they have limited amounts of metal around the transmitter and will therefore have limited effect on the transmitter performance. Please contact Online Electronics for further information and guidelines regarding EM transmitter mounting and installation.

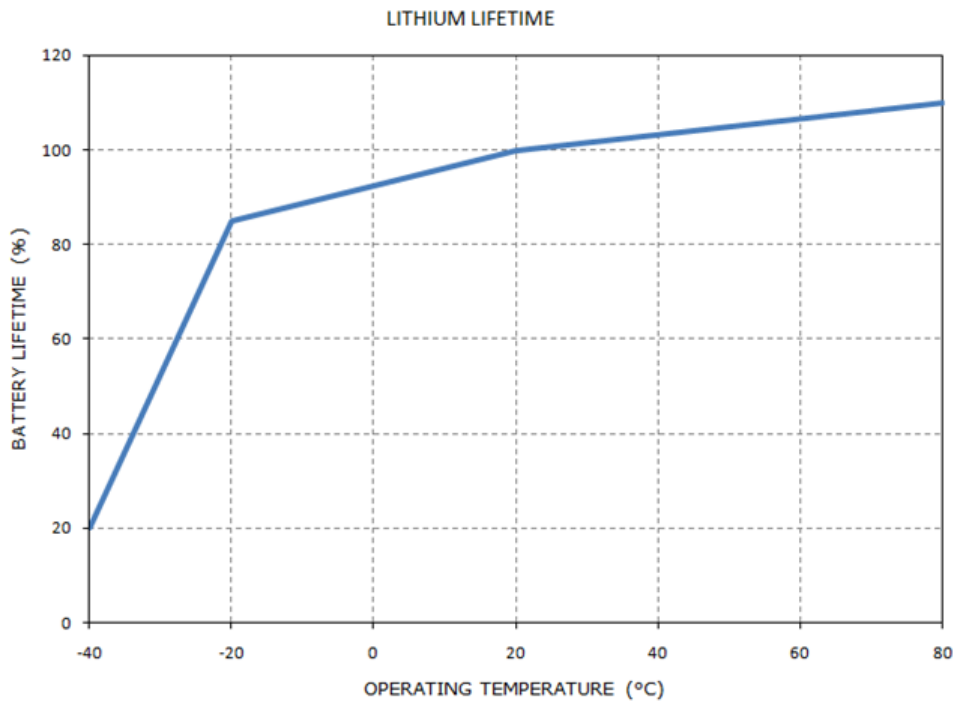


4.6. BATTERY LIFETIME

The operating temperature which the transmitter is used at alters the operating lifetime. Typically colder temperatures will shorten the stated lifetime.

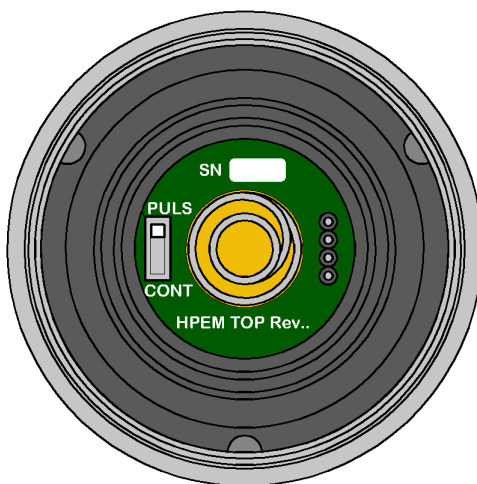
Note that upon customer request, the transmitters can be adjusted at Online Electronics Ltd to provide a stronger signal at the expense of lifetime or extended lifetime at the expense of signal, contact Online Electronics Ltd for more details and to discuss your requirements.

In extreme circumstances the transmitter operating lifetime may be reduced by how the transmitter is installed on a pig. Refer to section 4.5 INSTALLATION within this manual for tips on how to achieve optimum performance from the transmitter with regards to the mounting arrangement.



4.7. MODE SELECT

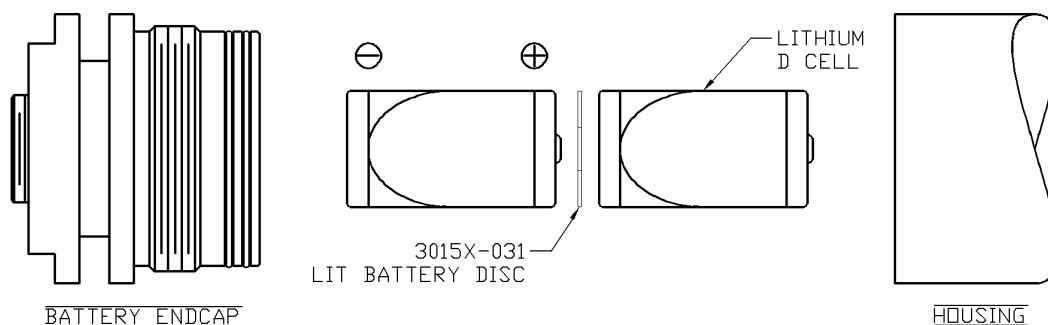
1. Familiarise yourself with all warnings given at the start of Section 3 RULES FOR SAFE OPERATION.
2. If not already loosened, using a 10mm AF Allen key, loosen the bleed screw 3 full turns to release any internal pressure and to turn the transmitter off. There is no need to fully remove the bleed screw. If you do so it may be lost.
3. Using a 2.5mm AF Allen key fully unscrew the M5 locking grub screw on the PCB ENDCAP. The grub screw may be screwed back in 3 turns to prevent it getting lost.
4. Using the supplied ENDCAP REMOVAL TOOL, fully remove the PCB ENDCAP to reveal the PCB assembly and switch as shown in the figure below.



5. Set the MODE SWITCH to the desired position. The switch can be set to either RATE 1 (switch in upper position or PULS) or RATE 2 (switch in lower position or CONT). Refer to page 2 of this manual for the rates available for the transmitter being used.
6. Examine the O-ring seals for any signs of contamination or damage, replace and/or re-grease if necessary.
7. Replace the PCB ENDCAP using the supplied ENDCAP REMOVAL TOOL. Do not use a vice or spanner, it only needs to be hand tight. Damage may occur if over tightened.
8. Tighten the M5 grub screw (until the grub screw engages with the housing to lock the PCB ENDCAP). Note that very little torque is required. Damage may occur if over tightened.
9. Fully tighten the bleed screw to turn on the transmitter. Use an EM receiver system to confirm transmitter function and correct transmission rate.
10. If the transmitter is not to be used immediately after the mode has been selected, loosen the bleed screw 3 full turns to switch the transmitter off and use some tape to hold the bleed screw in this position to prevent it being lost or the transmitter being accidentally turned back on.

4.8. BATTERY REPLACEMENT

1. Familiarise yourself with all of the warnings given at the start of Section 3 RULES FOR SAFE OPERATION.
2. Using a 10mm AF Allen key loosen the bleed screw 3 full turns to release any internal pressure and to turn the transmitter off. There is no need to fully remove the bleed screw. If you do so it may be lost.
3. Using a 2.5mm AF Allen key fully unscrew the M5 locking grub screw on the BATTERY ENDCAP. The grub screw may be screwed back in 3 turns to prevent it getting lost.
4. Using the supplied ENDCAP REMOVAL TOOL, fully remove the BATTERY ENDCAP.
5. Remove all ELECTROCHEM 3B0035-TC Lithium cells and the battery disc. Visually inspect the batteries, contact Online Electronics Ltd immediately if there are any signs of damage or electrolyte leakage. Dispose of the old batteries in a responsible way. Refer to section 4.9 LITHIUM BATTERY SAFETY for further guidance. Place the battery disc safely to one side so it doesn't get lost.
6. Observing the battery polarity shown in the figure below, insert 2x new ELECTROCHEM 3B0035-TC Lithium D cells into the battery compartment POSITIVE END first with a 3015X-031 LIT BATTERY DISC between neighbouring cells. A total of 1x battery disc will be required.



7. Once all batteries are installed ensure that it is the FLAT, NEGATIVE END of the batteries which you see when looking into the open end of the transmitter.
8. Examine the O-ring seals for any signs of contamination or damage, replace and/or re-grease if necessary.
9. Replace the BATTERY ENDCAP using the supplied ENDCAP REMOVAL TOOL. Do not use a vice or spanner, it only needs to be hand tight. Damage may occur if over tightened.
10. Tighten the M5 grub screw (until the grub screw engages with the housing to lock the BATTERY ENDCAP). Note that very little torque is required. Damage may occur if over tightened.
11. Fully tighten the bleed screw to turn on the transmitter. Using an EM receiver, confirm transmitter function and correct transmission rate.
12. If the transmitter is not to be used immediately after battery replacement, loosen the bleed screw 3 full turns to switch the transmitter off and use some tape to hold the bleed screw in this position to prevent it being lost or the transmitter being accidentally turned back on.

4.9. LITHIUM BATTERY SAFETY

The information given in this section is for reference only. It should not be used in place of appropriate local regulations or other legal requirements. Online Electronics Ltd are not responsible for any incident that occurs due to misuse or abuse of their products or misuse or abuse of lithium cells used by their products.

The batteries used in this transmitter have a very high energy density giving the transmitter a superior lifetime. However, the same properties which result in a high energy density also contribute to potential hazards if the energy is released at a fast, uncontrolled rate. With proper use and handling, ELECTROCHEM cells have demonstrated an excellent safety record in applications where safety and reliability is of utmost importance.

Because of the recognition of hazards associated with high energy density systems, safety has been incorporated into the design and manufacture of ELECTROCHEM cells and the Online Electronics Ltd transmitter. While the transmitter and cells have been designed to be tolerant to adverse conditions, there are limitations. In particular, the transmitter and cells must be protected from excessive heat and excessive mechanical abuse. The cells have warnings printed on their label that cautions against the following conditions:

- Short circuit
- Charge
- Forced over discharge
- Excessive heating or incineration
- Crush, puncture or disassembly
- Rough handling or excessive shock and vibration

Not guarding against these conditions may result in a hot cell that could either vent or explode at the instant of abuse, or, more typically, the cell shall heat up over a period of time and subsequently vent or explode when its critical temperature is reached. Problems associated with hazardous conditions can be greatly reduced by observing the following guidelines:

When handling the transmitter:

- Never drop the transmitter. This may damage the cells inside. If dropped, the cells should be replaced. During operation observe the shock and vibration limits given.
- Never store or operate the transmitter outside its operating temperature range.
- Always replace all batteries at the same time. Replace with NEW batteries from the SAME batch. This will help to prevent over discharge of individual cells.
- Always observe correct battery polarity when replacing batteries.

When handling loose cells:

- Cover all metal work surfaces with an insulating material
- The work area should be clean and free of sharp objects that could puncture the insulating sleeve on each cell
- Personnel handling cells should remove all jewellery that could come into contact with battery terminals
- Never stack or scatter loose cells. They should be placed in insulating carrying trays with individual compartments for each cell.
- Cells should be inspected for physical damage, possibly caused by dropping. Cells with dented cases or terminal caps should be disposed of in a responsible manner.
- Measure the Open Circuit Voltage (OCV) of cells. The nominal OCV is 3.9V. An open circuit voltage of 0.0V is indicative of a blown internal fuse.
- The cells must never be disassembled.

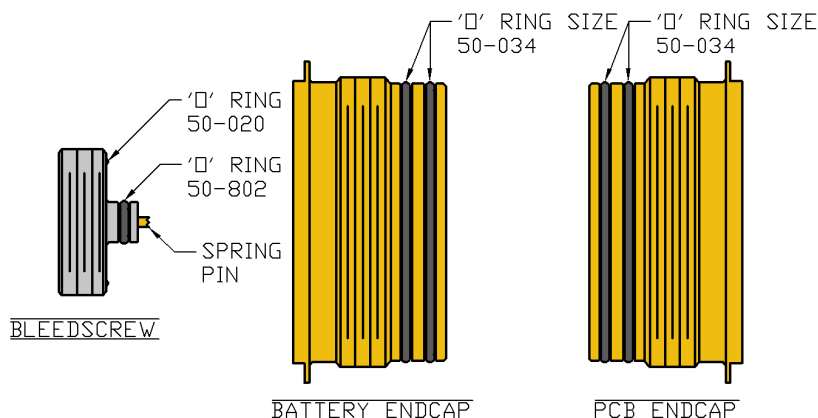
REFERENCE: http://www.electrochemsolutions.com/pdf/Safety_and_Handling_Guide.pdf

5. MAINTENANCE

Familiarise yourself with all of the rules for the safe operation of this equipment as described in Section 3 RULES FOR SAFE OPERATION.

5.1. O-RING REPLACEMENT

1. Familiarise yourself with all of the warnings given at the start of Section 5 MAINTENANCE.
2. Using a 10mm AF Allen key fully remove the bleed screw.
3. Using a 2.5mm AF Allen key fully unscrew the M5 locking grub screw on the PCB and BATTERY ENDCAPS. The grub screws may be screwed back in 3 turns to prevent them getting lost.
4. Using the supplied ENDCAP REMOVAL TOOL, fully remove the BATTERY ENDCAP, any batteries and the battery disc, then the PCB ENDCAP.
5. Referring to the figure below, remove all O-rings and clean the sealing surfaces on all parts.



6. Examine all surfaces for signs of corrosion, scoring and other damage. If there is excessive damage the mechanical parts may need to be replaced.
7. Lightly grease all sealing surfaces using a suitable grease (e.g. DOW CORNING MOLYKOTE 111 COMPOUND).
8. Lightly grease each O-ring with a suitable grease (e.g. DOW CORNING MOLYKOTE 111 COMPOUND) before fitting.
9. Referring to Section 4.8 BATTERY REPLACEMENT re-insert the batteries and the battery disc, then refit the BATTERY ENDCAP to the BATTERY end of the housing and the PCB ENDCAP to the PCB end of the housing using the ENDCAP REMOVAL TOOL. Do not use a vice or spanner, the endcaps only need to be hand tight.
10. Tighten the M5 grub screw on each ENDCAP (until the grub screw engages with the housing to lock each endcap in place). Note that very little torque is required. Damage may occur if over tightened.
11. Examine the bleedscrew spring pin for any signs of damage, ensure it is not stuck and has a smooth travel of approximately 3mm. Fully tighten the bleed screw then loosen 3 full turns to ensure the transmitter is turned off and use some tape to hold the bleed screw in this position and prevent it being lost or the transmitter being accidentally turned back on.

5.2. ROUTINE MAINTENANCE AND STORAGE

Familiarise yourself with all of the rules for the safe operation of this equipment as described in Section 3 RULES FOR SAFE OPERATION.

All Online Electronics Ltd transmitters are designed to require minimum maintenance. The housing should be cleaned using fresh water and cleaning agents as necessary (e.g. WD40). Do not use chemicals which could be damaging to the housing or 'O-rings.

Check flame paths / threads on the enclosure body and lid for signs of corrosion or damage. If badly pitted or damaged, replace the relevant component.

All components that are replaced must be in accordance with the manufacturers' specifications. Failure to use such components may invalidate the certification/approval and may make the equipment dangerous.

Online Electronics Ltd can supply redress kits containing a complete set of replacement batteries, battery discs, O-rings, O-ring grease, and endcap locking screws, contact Online Electronics Ltd for more information.

If the transmitter is to be placed in storage for a long period of time remove the batteries and battery disc from the transmitter and store separately. Refer to Section 4.9 LITHIUM BATTERY SAFETY for further guidance.

As a minimum the bleed screw must be loosened 3 full turns to switch the transmitter off.

6. DISPOSAL OF UNIT

Online Electronics Ltd takes its responsibilities under the WEEE Regulations extremely seriously and has taken steps to be compliant in line with our corporate and social responsibilities. In the UK, OEL has joined a registered compliance scheme WeeeCare (registration number **WEE/MP3538PZ/SCH**).

Electrical and electronic equipment should never be disposed of with general waste but must be separately collected for the proper treatment and recovery.

The crossed out bin symbol, placed on the product, reminds you of the need to dispose of it correctly at the end of its life.

When buying a new product you will have the possibility to return, free of charge, another end of life product of equivalent type that has fulfilled the same functions as the supplied equipment. These items may be deposited at:

Online Electronics Ltd
Online House
Woodburn Road
Blackburn Business Park
Blackburn
Aberdeen
AB21 0PS
UK

Alternatively, to arrange a collection of any waste electrical equipment, obligated to OEL please telephone WeeeCare on **0844 800 2004**.

7. WARRANTY

Online products are guaranteed for one year from the date of purchase. Goods should be returned transportation prepaid to Online Electronics Limited.

There is no charge for parts or labour should any product require repair due to a manufacturing deficiency during the guarantee period.

In the event of a manufacturing deficiency the inward transportation costs will be repaid to the client.

8. APPENDIX A – ATEX SPECIFIC INSTRUCTIONS

EQUIPMENT: 3014X and 3015X EM transmitters

MANUFACTURER: **Online Electronics Ltd**
Online House
Blackburn Business Park
Woodburn Road
Blackburn
Aberdeen
AB21 0PS
UK
Tel: +44 (0) 1224 714 714
Web: www.online-electronics.com

NOTIFIED BODY NUMBER: 0891

ATEX CERTIFICATE: TRAC 09 ATEX 21218X

MARKINGS:  II 2 G Ex d IIB T4..T6X

APPLICABLE STANDARDS: EN 60079-0:2012+A11:2013
EN 60079-1:2014

SPECIAL CONDITIONS FOR SAFE USE:

1. The temperature class is reliant on the operating ambient temperature as follows:

Ambient temperature	T Class
-20°C to +40°C	T6
-20°C to +80°C	T4

- Warning – Do not open when an explosive atmosphere may be present.
- Use only ELECTROCHEM 3B0035-TC D cells.
- Enclosures manufactured from titanium must be installed such that ignition sources due to impact and friction sparks are excluded.